

MANUAL HISHAM'S PALACE SCALE MODEL

Materials needed:

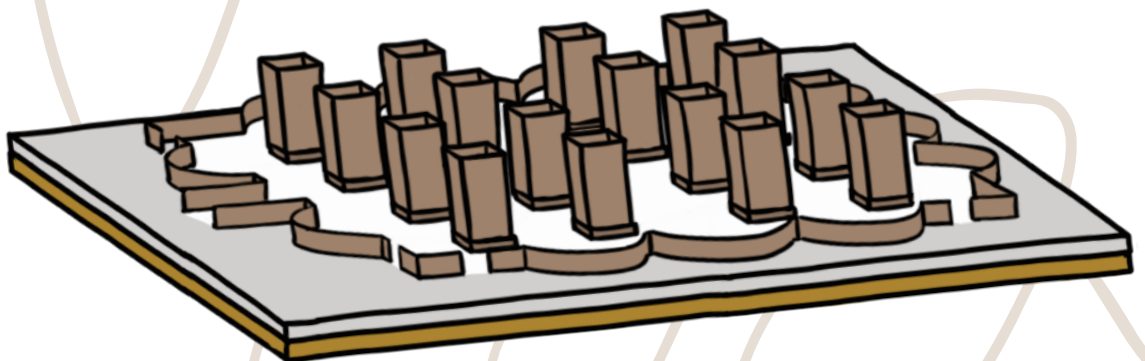
- Prints of templates 1A – 1E on A3-format (step 1 in the manual)
Provided on the last pages of the manual
- Cardboard (step 3)
- Wooden board, 41 cm by 43 cm (step 7)
- Clay, 1.5 kg (step 8)
- Pen or pencil
- Scissor or stanley knife
- Glue or stapler

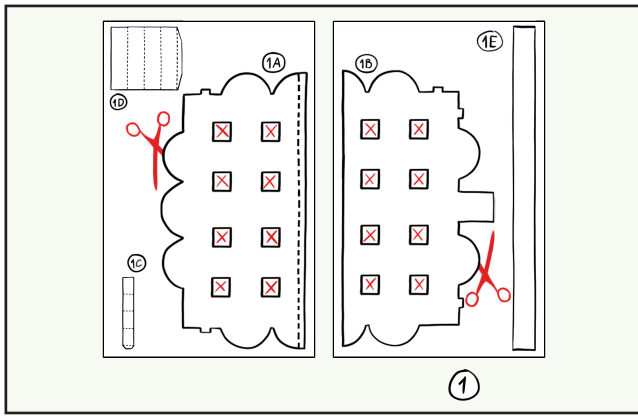
Organisation:

Groups of 3 to 4 students

Duration:

2 to 3 hours

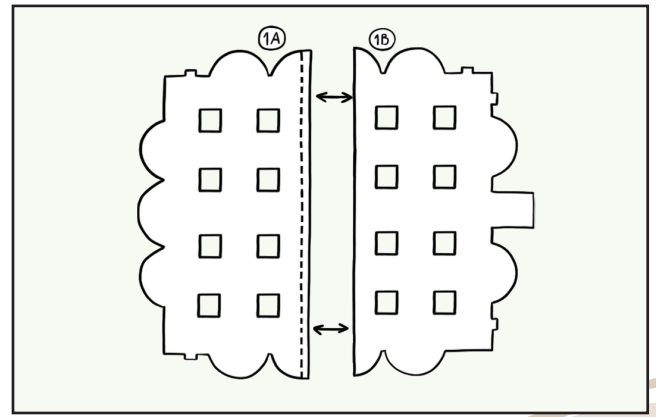




Step 1

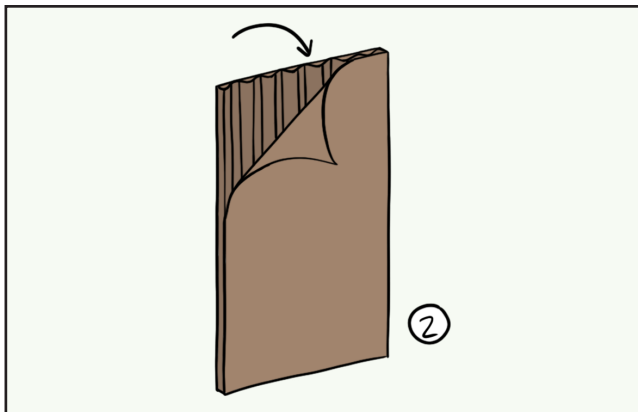
Cut out the templates given to you.

Remember! Do not forget to cut out the squares in (1A) and (1B) that are indicated with a red X.



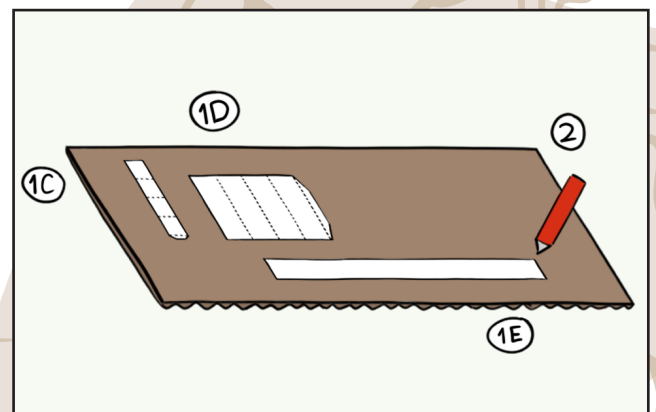
Step 2

Stick the templates 1A and 1B together with glue or a stapler.



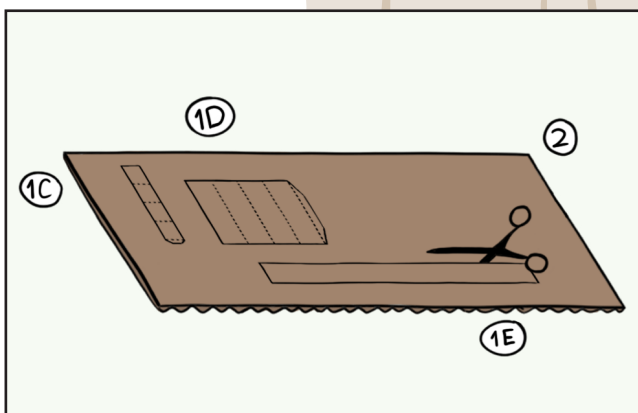
Step 3

Take a piece of cardboard (2) and remove the piece of paper of one side and keep the paper of the other side and the ribs (as shown in the image).



Step 4

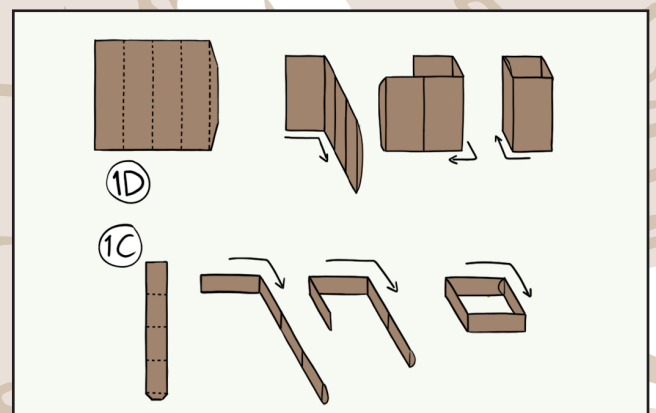
Place the templates (1C), (1D) and (1E) on the cardboard (2). Trace them with a pencil on the cardboard.



Step 5

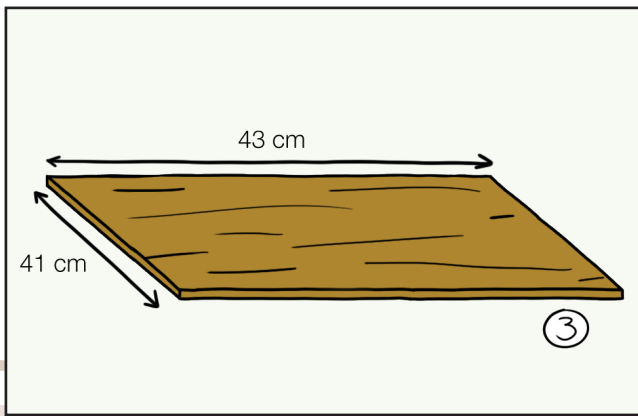
Cut the templates (1C), (1D) and (1E) out of the cardboard (2).

Remember! You need 16 pedestals (1C), 16 pillars (1D) and 4 walls (1E).



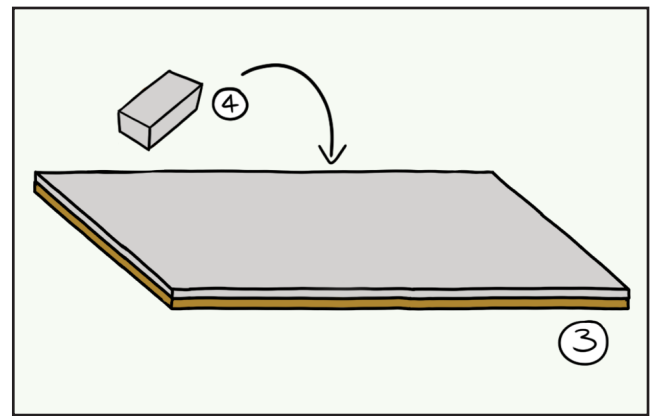
Step 6

Fold the pillars (1C) and pedestals (1D) as in the example.



Step 7

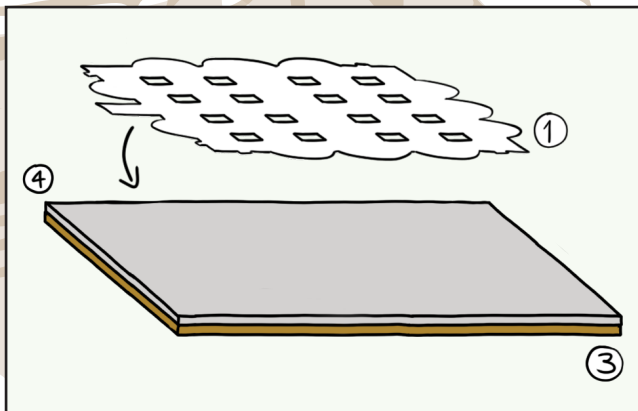
Take a wooden board (3) of 43 cm by 41 cm.



Step 8

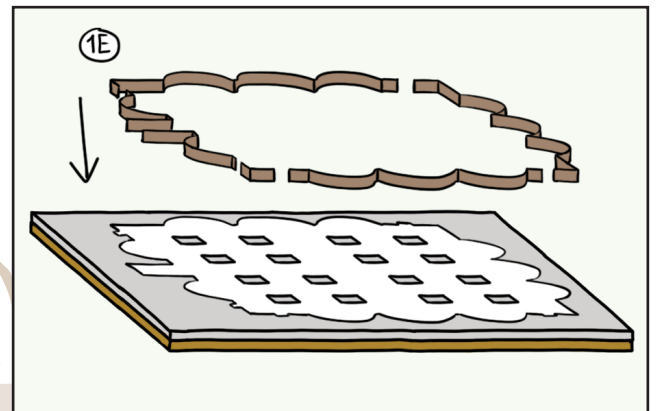
Take your clay (4) and spread it over the wooden board (3).

Remember! Make sure that the layer of clay is 0.5 cm thick.



Step 9

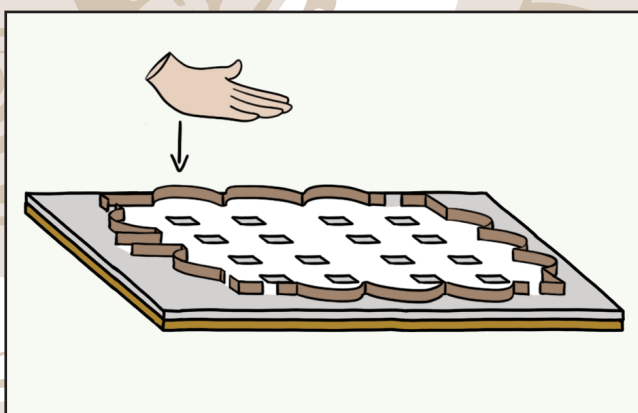
Place the template (1) on the clay (4).



Step 10

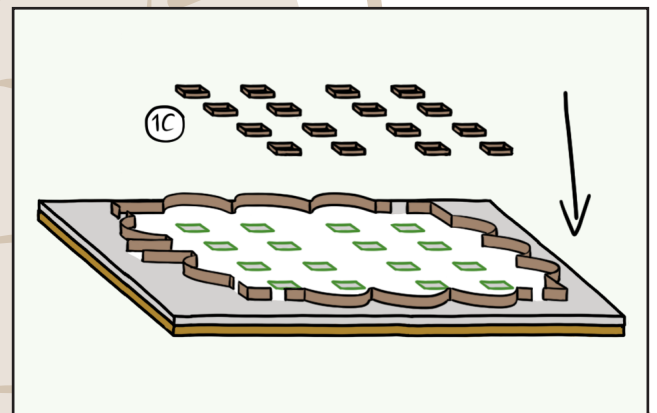
Place the walls (1E) around the outer lines of the template and follow the curves.

Remember! Do not place walls on the spots marked as 'opening'.



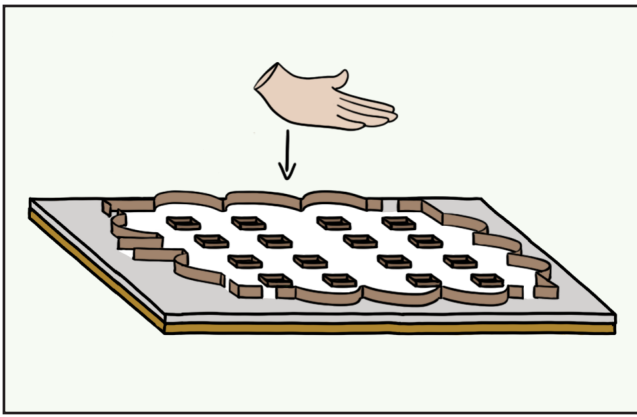
Step 11

Gently press the walls (1E) into the clay so they will stand sturdy.



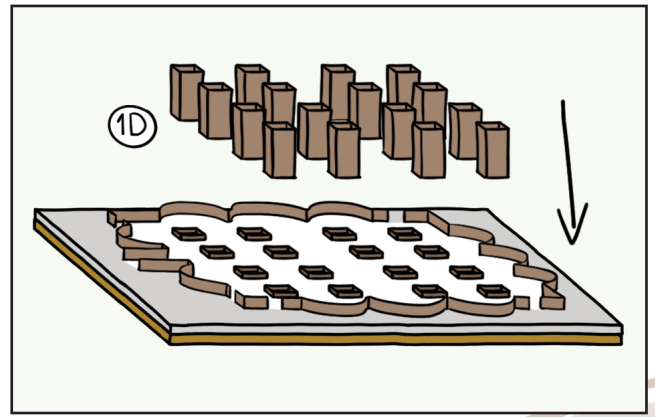
Step 12

Place the 16 pedestals (1C) on the squares as in the example.



Step 13

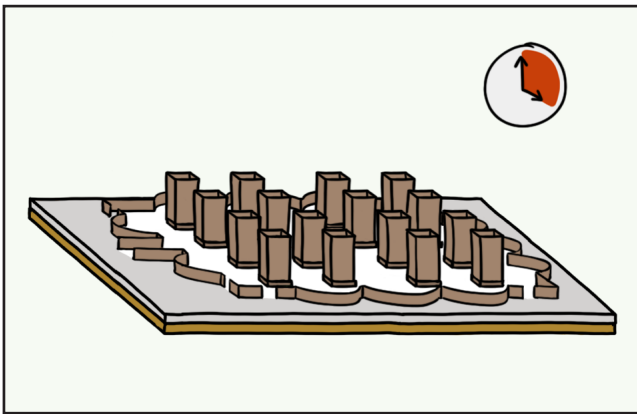
Gently press the pedestals into the clay so they will stand sturdy.



Step 14

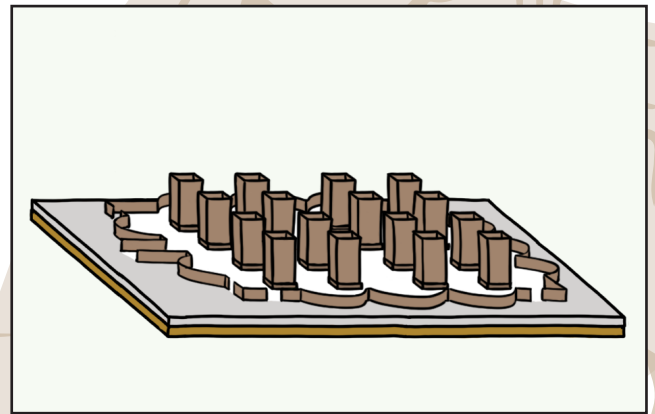
Place the 16 pillars (1D) in the pedestals.

Remember! Do not glue the pillars in the pedestals yet, you still need to be able to remove them.



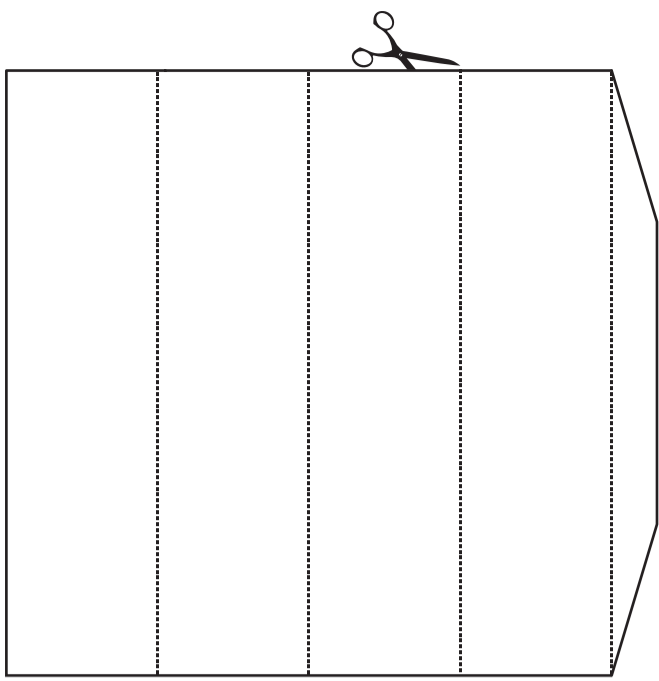
Step 15

Wait for the clay to dry.



Step 16

You are ready!



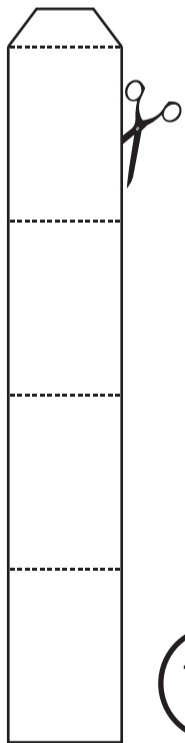
1D

1A

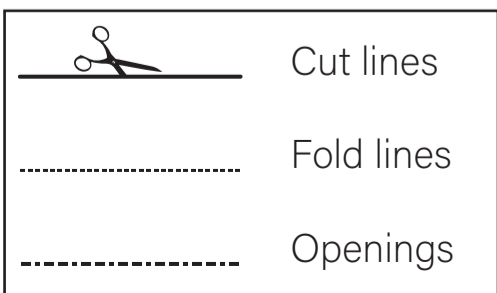
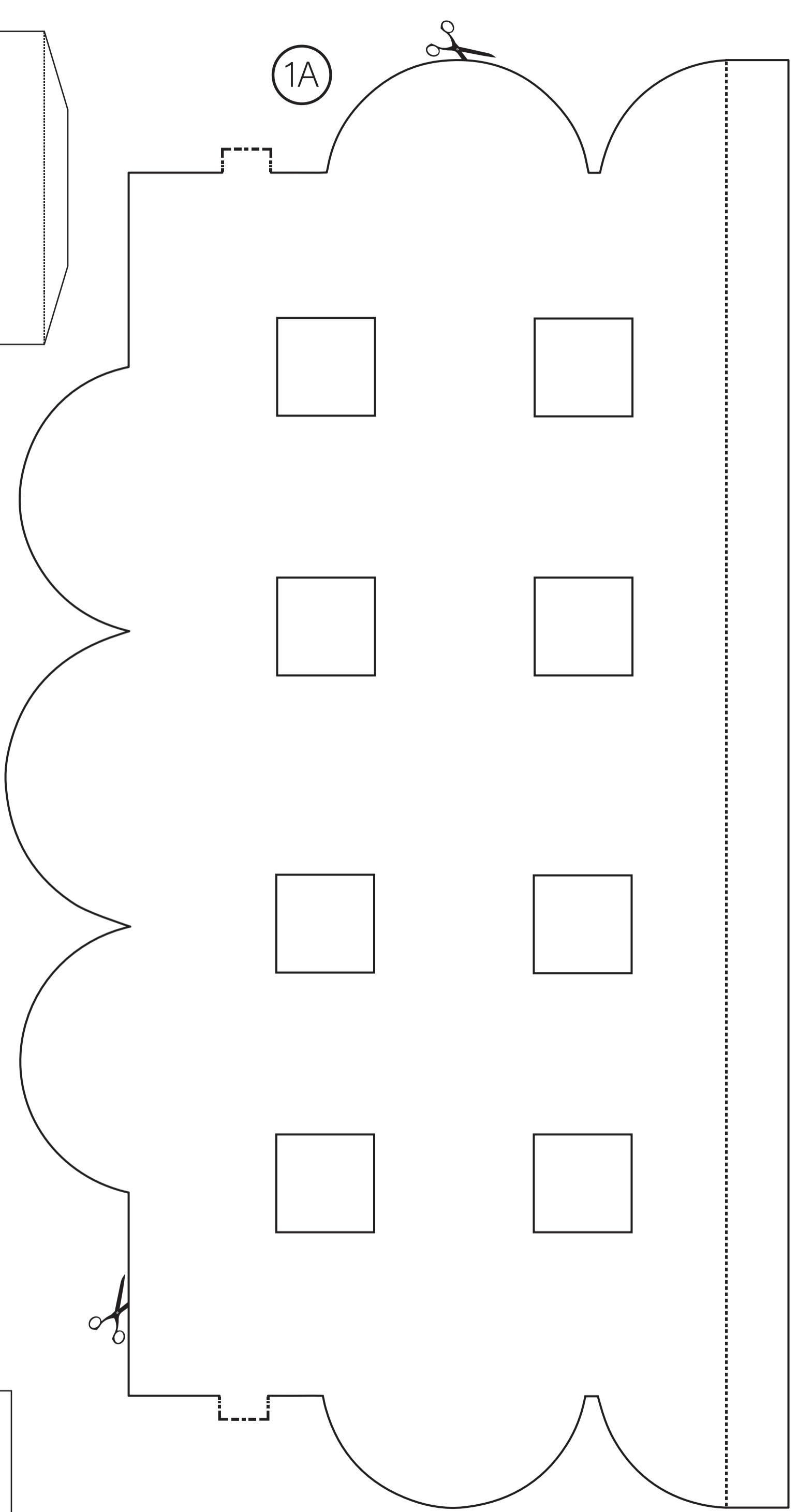
Print:

- single-sided

- A3-size



1C



1B

1E

